

(A) Tangled Up In Nots (1/1)

A1.

- a. Kecantikan bukan hadiah.
- b. Gadis kaya itu bukan penyanyi.
- c. Kekayaannya bukan untuk gadis itu.
- d. Manusia itu tidak datang.
- e. Hadiah itu dari penyanyi itu tidak cantik.

Explanation

Abstract nouns ("beauty") are formed by surrounding the respective adjective (beautiful) with ke~an. Only "teman" (his) precedes the noun. Other determiners, the adjective and "itu" (definite article) follow. Prepositions precede the corresponding noun phrases.

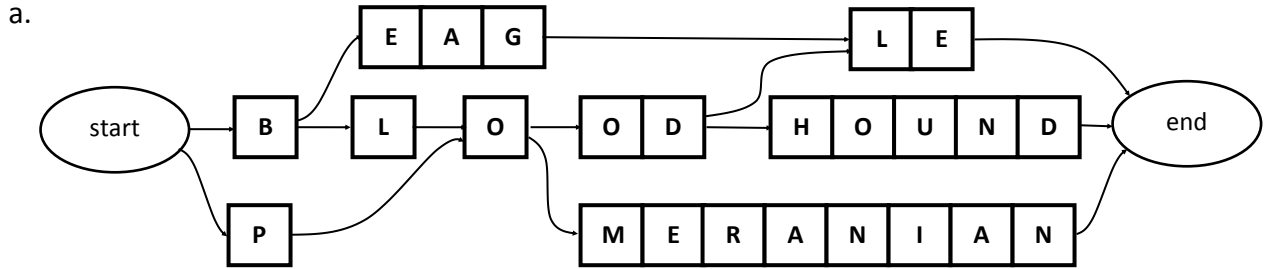
The subject always precedes the verb. The verb is always first in the verb phrase.

Malay has two verbs that correspond to "to be" (in the negative form): "tidak" is used when followed by an adjective or verb, "bukan" is used otherwise.

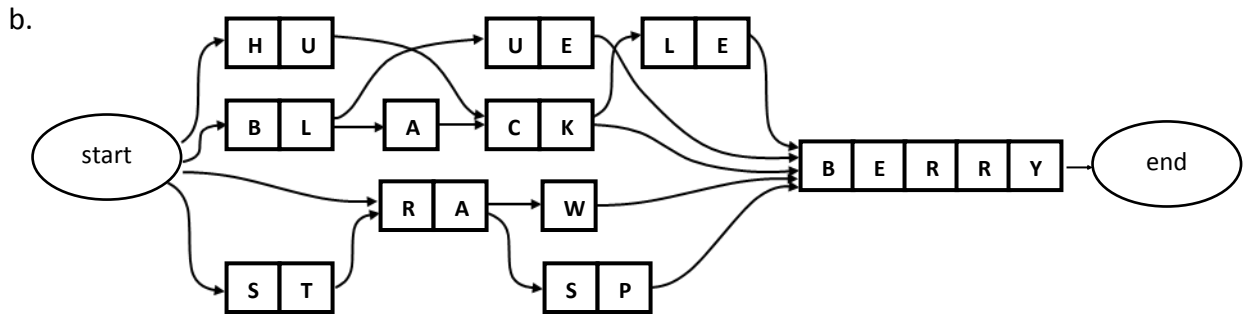


(B) DAWG Breeds (1/1)

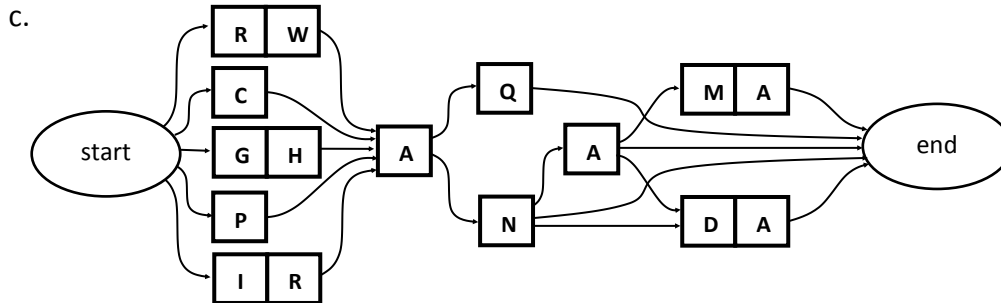
B1.



Unintended words: POODHOUND, BLOMERANIAN, BLOODLE
 Intended words: BEAGLE, BLOODHOUND, POODLE, POMERANIAN



Unintended words: HUCKBERRY, RAWBERRY, BLACKLEBERRY, STRASPBERRY
 Intended words: HUCKLEBERRY, BLUEBERRY, BLACKBERRY, STRAWBERRY, RASPBERRY



Unintended words: PANDA, GHAQ, IRANADA, CAN, RWANAMA, and many more...
 Intended words: RWANDA, CANADA, GHANA, PANAMA, IRAQ, IRAN

- B2.
- a. 27 squares
 - b. 26 squares
 - c. 24 squares



(C) The Curious Case of Estonian (1/1)

- C1. laulja (partitive) - lauljat
õdel (adessive) - õel
kollaset (partitive) - kollast
suur (genitive) - suure

C2.

<i>English translation</i>	<i>Genitive Singular</i>	<i>Partitive Singular</i>	<i>Adessive Singular</i>	<i>Nominative Plural</i>	<i>Genitive Plural</i>	<i>Adessive Plural</i>
'moon'	(a) kuu	kuud	kuul	(b) kuud	(c) kuude	(d) kuudel
'human'	inimese	(e) inimest	(f) inimesel	(g) inimesed	inimeste	(h) inimestel
'fish'	(i) kala	kala	(j) kalal	kalad	(k) kalade	(l) kaladel



(D) That's an Order! (1/1)

Translations of sentences:

Janelle nikaon og bulanglang apan dili og turon saba.
Janelle ate bulanglang but not turon saba.

Ang tao nga nipalit og asado ug nikaon og kutsinta wala niinom og serbesa.
The person who bought asado also ate kutsinta but didn't drink beer.

Ang tao nga nikaon og adobong baboy ug niinom og tubig apan si dili Althea.
The person who ate adobong baboy also drank tubig but was not Althea.

Ang duha ka tao nga nanginon alkohol mga Maria ug ang tao nga nipalit og adobong sitaw.
The two people who had alcohol were Maria and the person who bought adobong sitaw.

Inday nipalit og maruya.
Inday bought maruya.

Ang tolo ka tao nga wala nipalit og maruya mga Maria, Althea, ug Janelle.
The three people who did not buy maruya were Maria, Althea, and Janelle.

Ang tao nga nikaon og bulanglang si Janelle.
The person who ate bulanglang was Janelle.

Janelle nipalit og bulanglang apan dili og tubig.
Janelle bought bulanglang but not tubig.

	Althea	Inday	Janelle	Maria
Main Dish	adobong sitaw	adobong baboy	bulanglang	asado
Dessert	turon saba	maruya	buko pie	kutsinta
Drink	serbesa	tubig	gatas	bino



(E) Be There, or Be Squared (1/1)

Huli uses a base 15 counting system.

- E1.**
- a. 36
 - b. 1
 - c. 81
 - d. 25
 - e. 16
 - f. 9
 - g. 4
 - h. 49
 - i. 64
 - j. 100

E2. 116, 117, 118, 119

- E3.**
- a. kira
 - b. maria
 - c. waragaria
 - d. karia
 - e. nguira-ni karia
 - f. ngui ki, ngui tebone-gonaga deria
 - g. ngui ma, ngui dauni-gonaga waragaria
 - h. ngui dau, ngui waragane-gonaga kira
 - i. ngui dau, ngui waragane-gonaga haleria
 - j. ngui bea, ngui hombeane-gonaga halira



(F) Take One Tablet and Call Me in the Morning (1/1)

- F1.**
- a. (7)
 - b. (2)
 - c. (3)
 - d. (1)
 - e. (4)
 - f. (5)
 - g. (6)

- F2.**
- a. (5)
 - b. (7)
 - c. (2)
 - d. (3)
 - e. (4)
 - f. (1)
 - g. (6)



(G) Signs from Above (1/1)

- G1.**
- a. G 6 (apple)
 - b. S 27-12 (cow-house)
 - c. M 26-12 (shame-house)
 - d. K 5-30 (black-monk)
 - e. P 19-10 (God-bread)
 - f. V 20-10 (sweet-bread)
 - g. B 5-17 (black-milk)
 - h. L 23-19-24 (baby-God-day)
 - i. A 13-30-4 (white-monk-one person)
 - j. W 13-30 (white-monk)
 - k. Q 28-12 (sleep-house)
 - l. F 1 (drink)
 - m. R 1-2-3 (drink-tea-courtyard)
 - n. U 15-7 (hard-water)
 - o. I 15-7-3 (hard-water-courtyard)
 - p. E 16-8-16-3 (e-tall-e-courtyard)
 - q. J 17 (milk)
 - r. D 21-30-4 (female-monk-one person)
 - s. O 18-8-9 (pour-tall-wood) (i.e. "pour-tree")
 - t. H 21-22-20-29 (woman-king-sweet-wing)
 - u. N 13-14 (white-rain)
 - v. T 8-9 (tall-wood)
 - w. C 9-31 (wood-table)

- G2.**
- a. 23
 - b. 18
 - c. 14
 - d. 2



(H) Fan Fiction (1/1)

- HI.
- a. unigram
 - b. context-free
 - c. bigram
 - d. trigram
 - e. context-free
 - f. real
 - g. trigram
 - h. bigram
 - i. unigram
 - j. real
 - k. trigram
 - l. context-free

